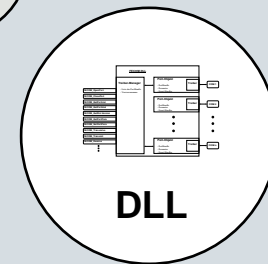
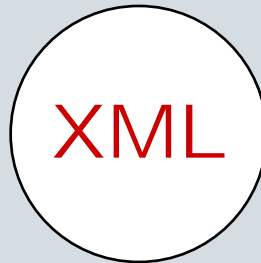
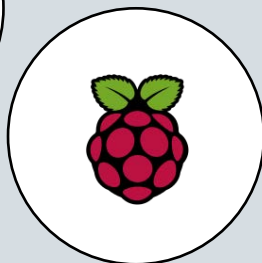
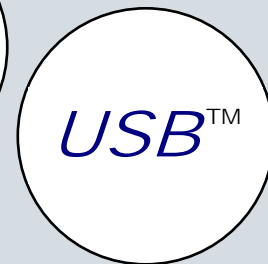
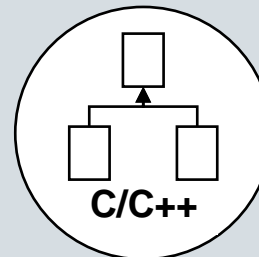
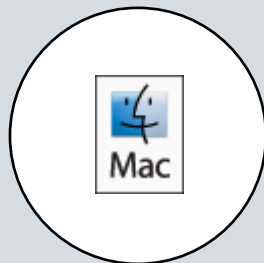
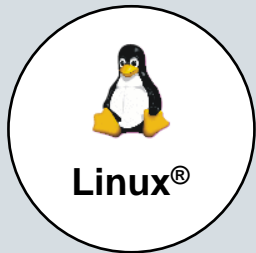


CONNECTING SOFTWARE TO FEIG READERS





OBID, OBID *i-scan* and OBID myAXCESS are registered trademarks of FEIG ELECTRONIC GmbH

WebSphere is a registered trademark of International Business Machines Corporation in the United States and/or other countries

Microsoft, Windows, Windows Vista, BizTalk and Visual Studio are either registered trademarks or trademarks of Microsoft Corporation in the United States and/or other countries

Linux is a registered trademark of Linus Torvalds

Apple, Mac, Mac OS, OS X, Cocoa and Xcode are trademarks of Apple Inc., registered in the U.S. and other countries.

Java is a trademark of Oracle Corporation

LabView is a trademark of National Instruments Corporation in the United States and other countries

Android is a trademark of Google Inc.

Raspberry Pi is a trademark of the Raspberry Pi Foundation

Other product and company names may be the trademarks of their respective owners

Software Drivers

Standard Driver for FEIG HF and UHF reader families

- WHQL certified Windows USB Kernel-Driver
- LLRP Wrapper Application

Standard Driver for FEIG CPR reader and FEIG myAXXESS reader

- WHQL certified Windows PC/SC Kernel-Driver

Software Development Kits (SDK)

Standard SDKs for FEIG HF and UHF and FEIG CPR reader families

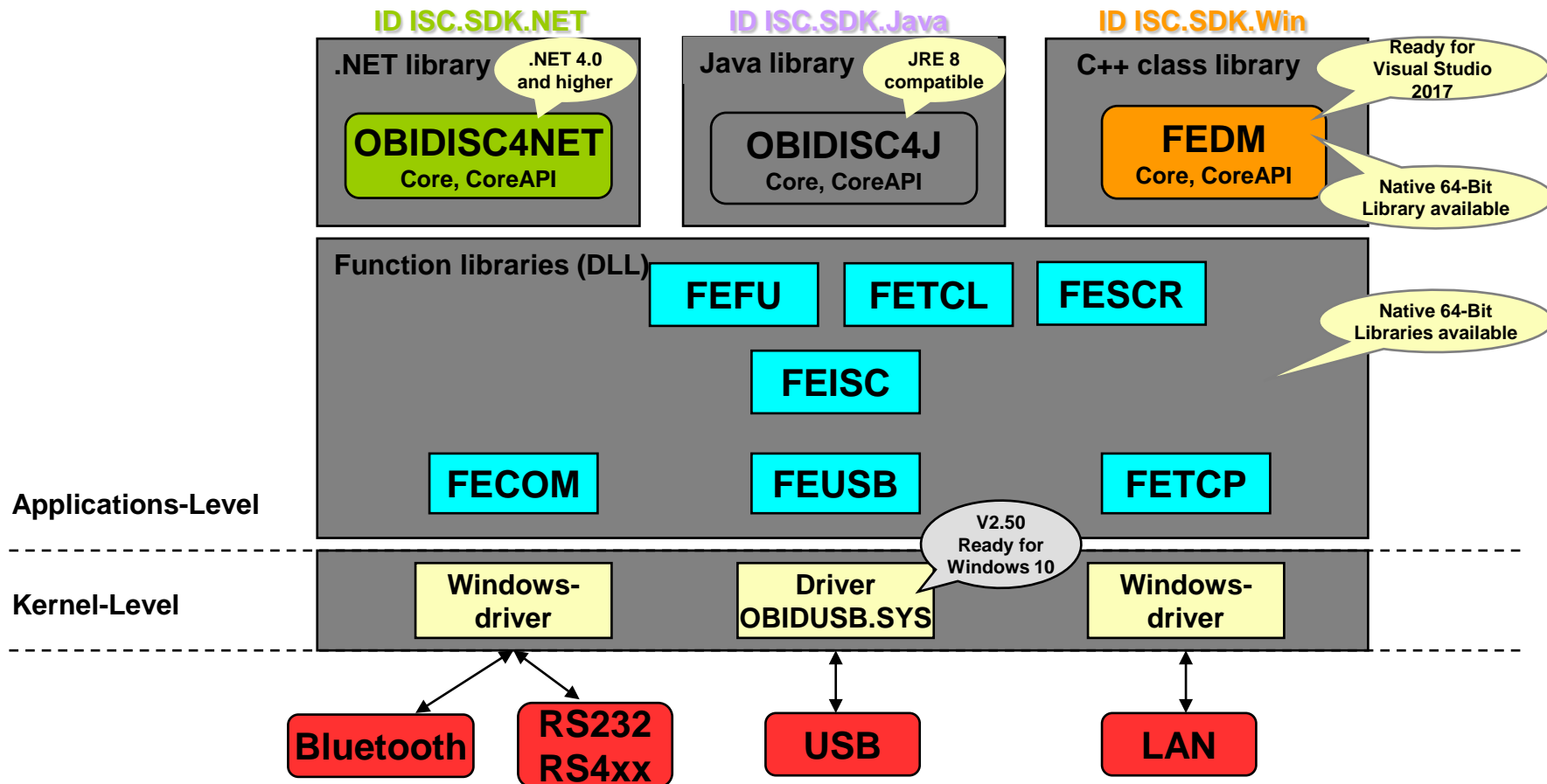
- ID ISC.SDK.Win (DLLs, C++ Class Library, Samples)
- ID ISC.SDK.Linux (SOs, C++ Class Library, Samples)
- ID ISC.SDK.Linux_embedded (SOs, C++ and Java Class Library)
- ID ISC.SDK.Raspi (SOs, C++ and Java Class Library)
- ID ISC.SDK.Android (SOs, C++ and Java Class Libraries)
- ID ISC.SDK.MacOSX (DYLIBs, C++ Class Library)
- ID ISC.SDK.NET (DLLs, .NET Class Library, Samples)
- ID ISC.SDK.Java (DLLs/SOs, Java Class Library, Samples)
- ID ISC.SDK.WinCE (DLLs , C++ and . NET Class Libraries)
- ID ISC.SDK.DRV.WinCE.USB (USB-Driver)

SDKs for embedded Linux in Long-Range Reader ID ISC.LR2500-A and LRU3x00

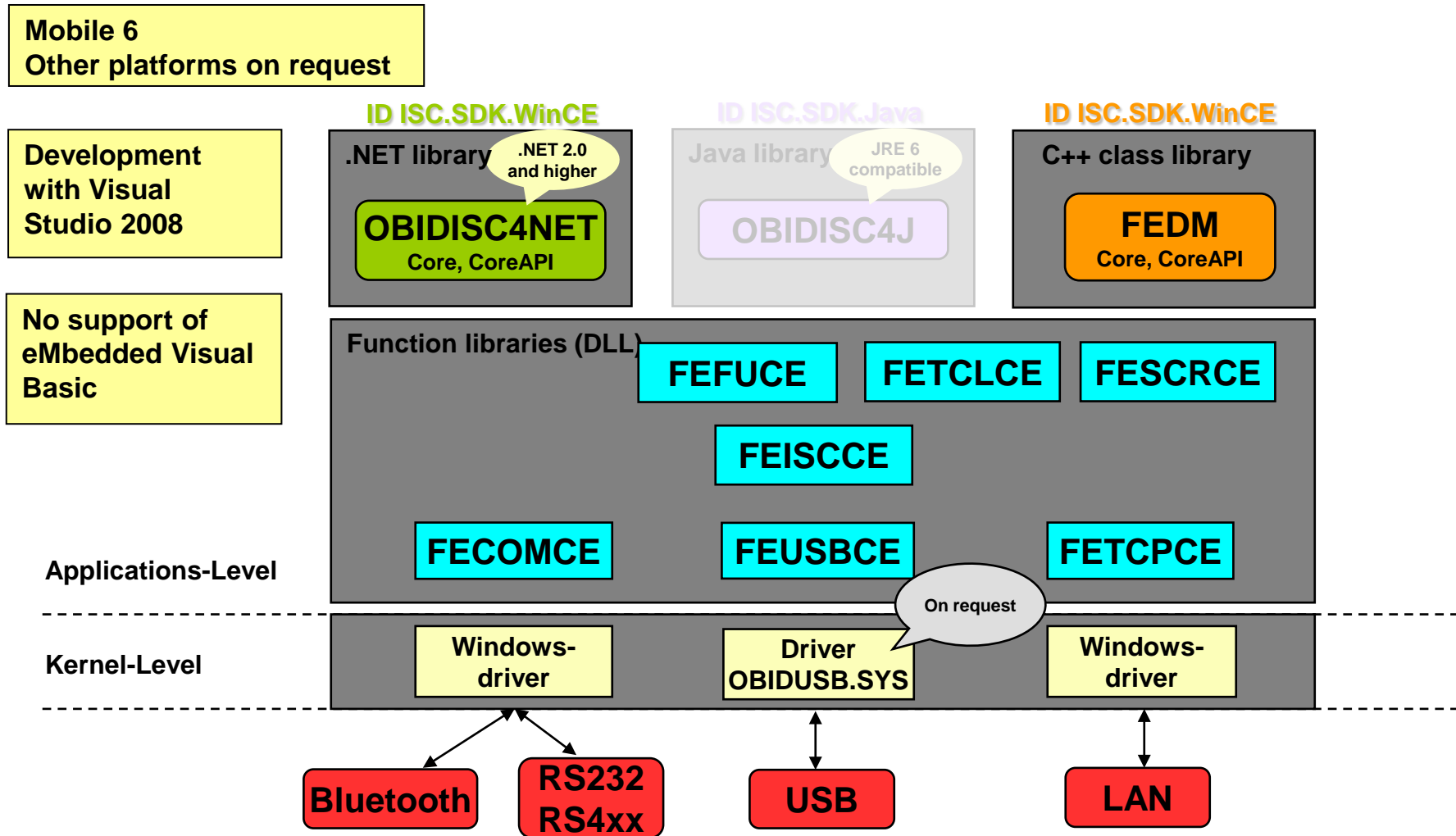
- ID ISC.SDK.ACC-LR-FMB08 (SOs, C++ and Java Class Library, Samples)

Software Support for Windows Vista / 7 / 8 / 10

(x86- and x64-Bit)

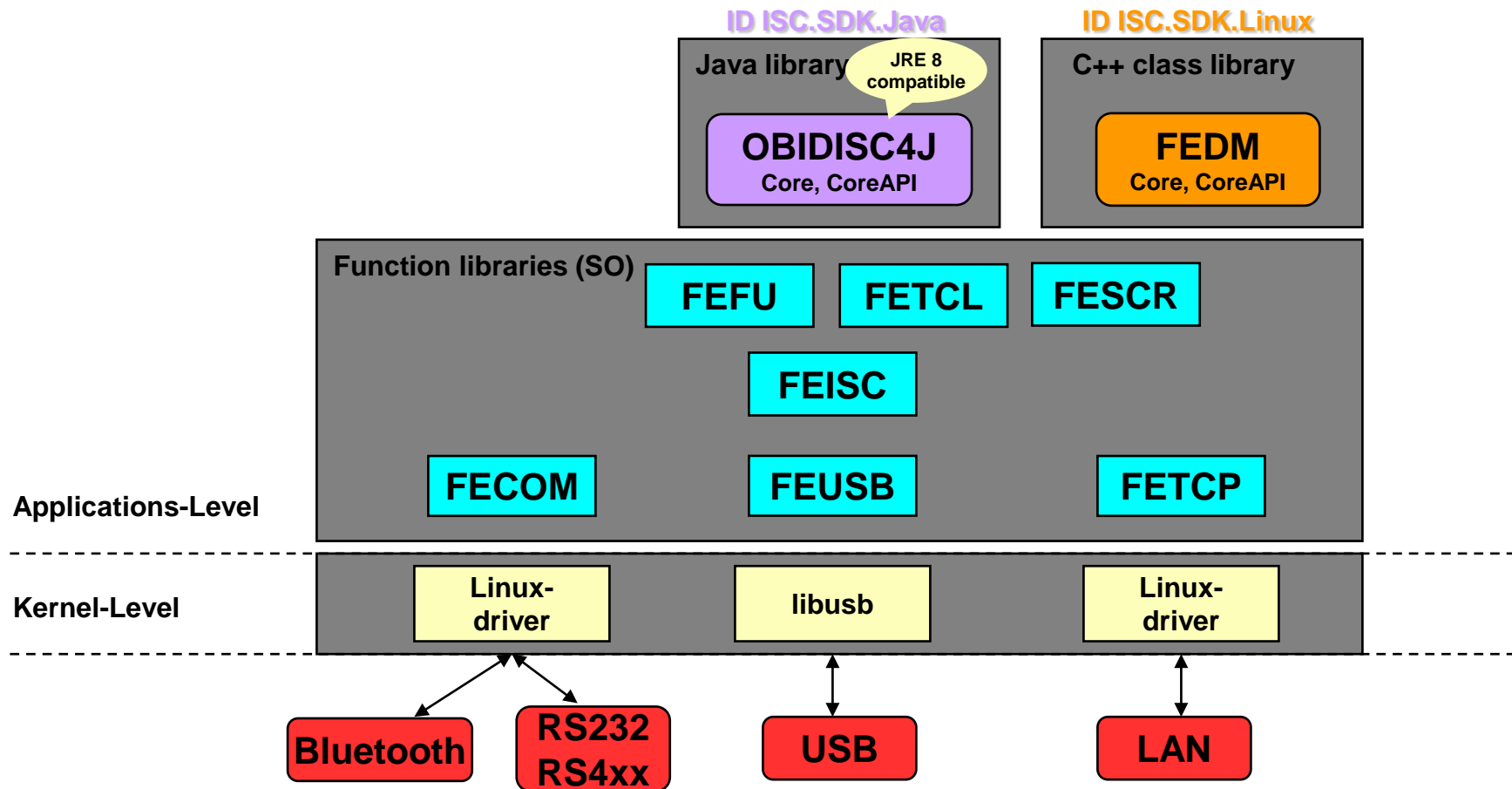


Software Support for Windows CE



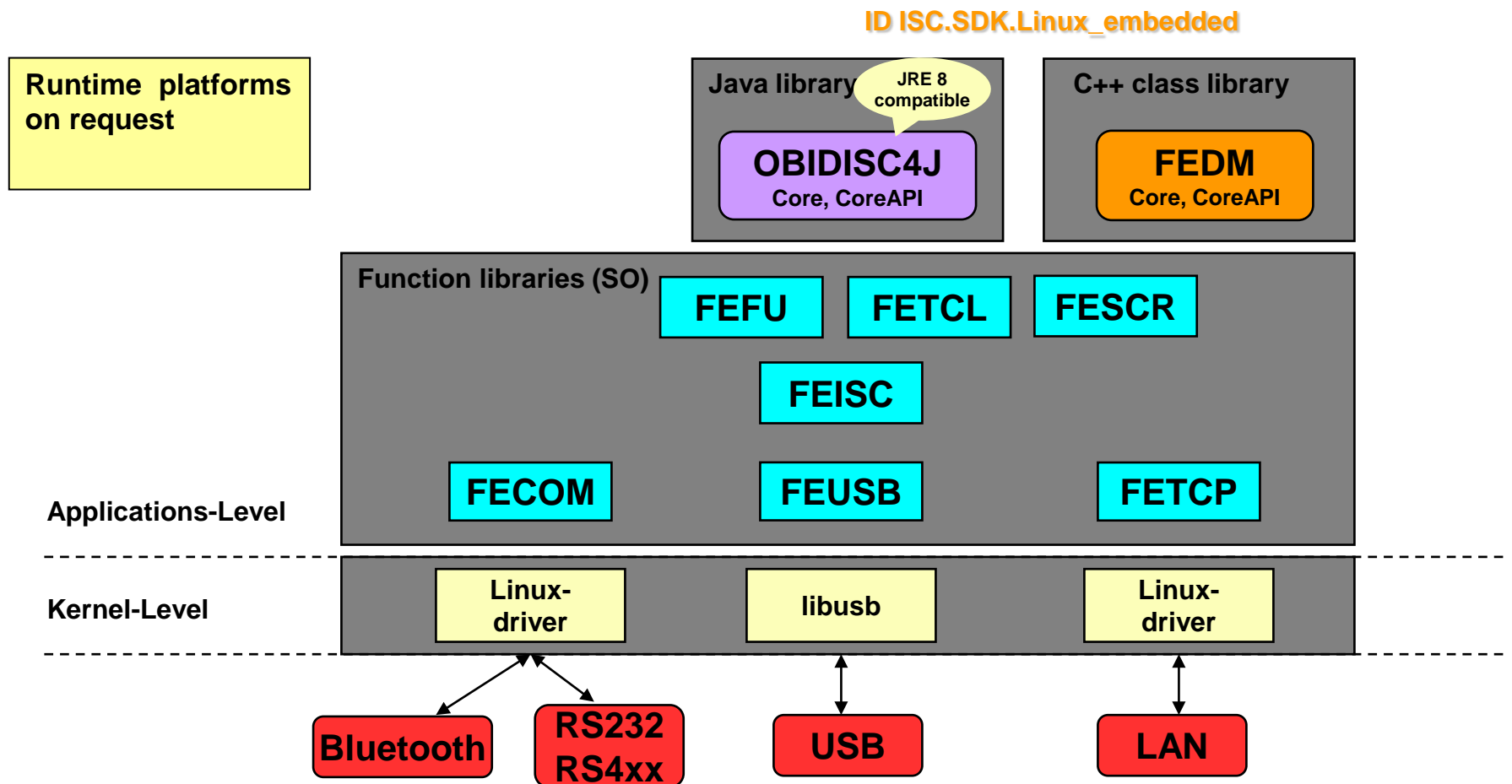
Software Support for Linux

(x86- and x64-Bit Runtime Libs)



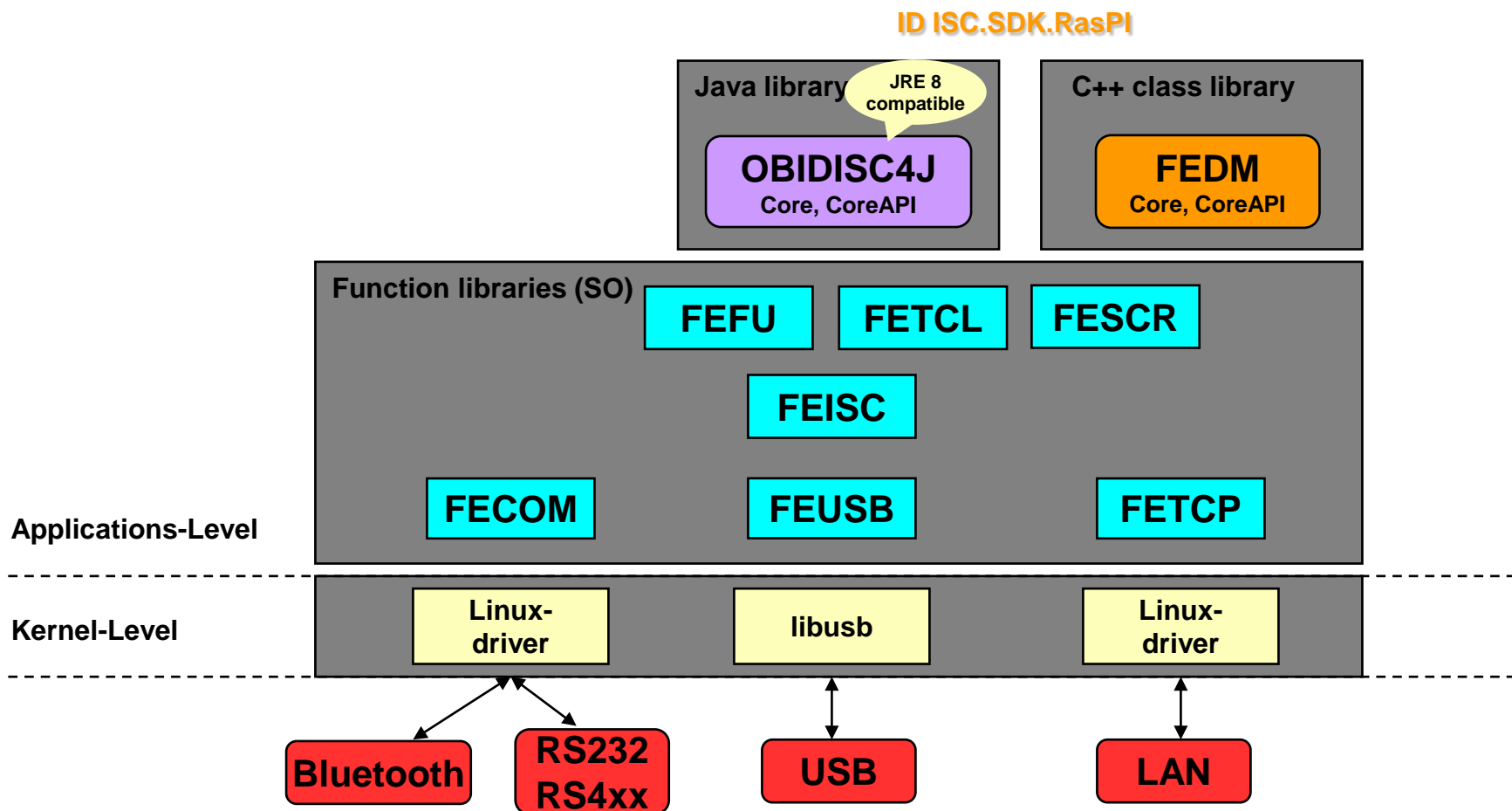
Software Support for embedded Linux

(different ARM Runtime Libs)



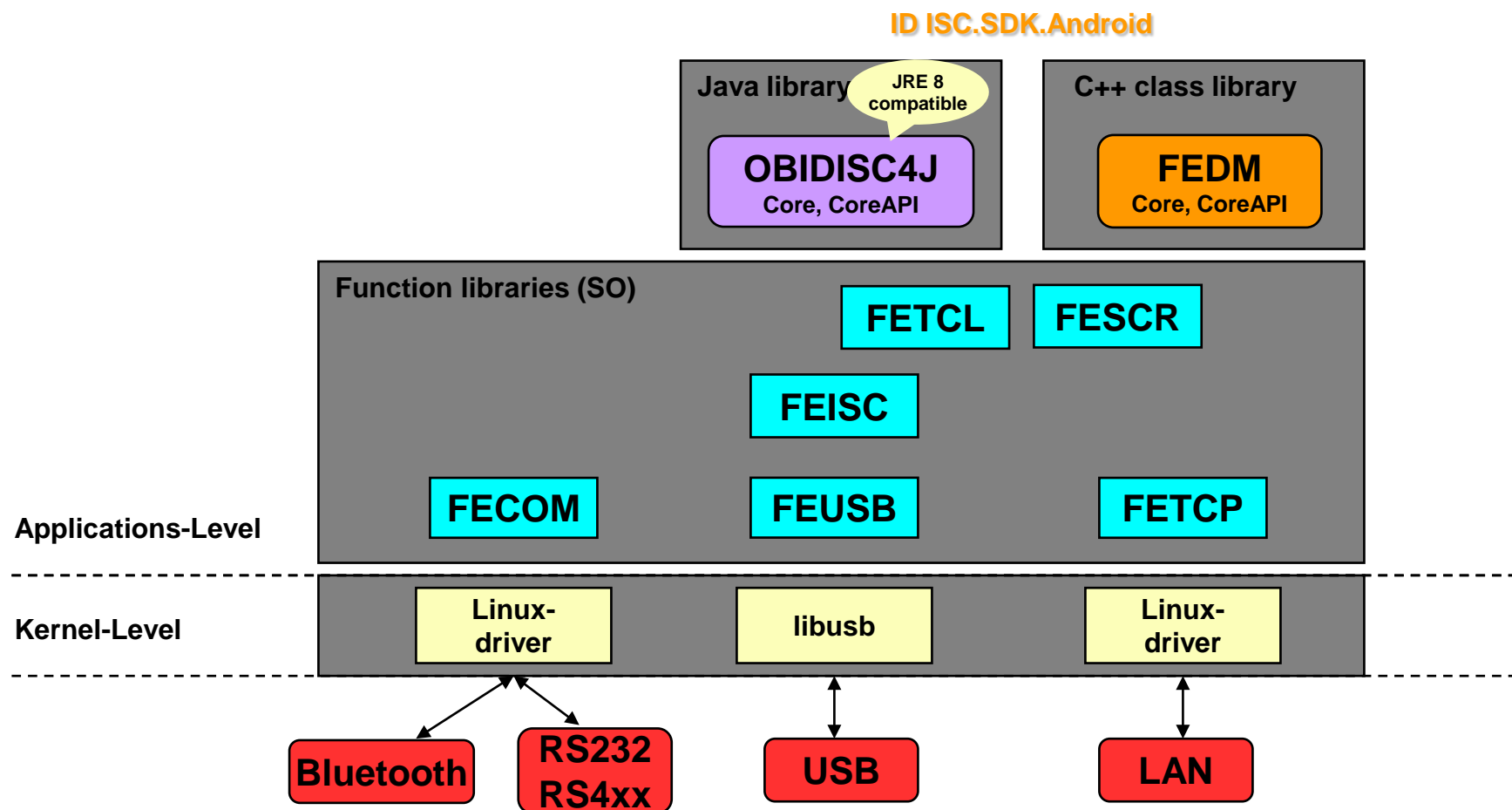
Software Support for Raspberry Pi with Raspbian OS

(Support for Model 2 and 3)



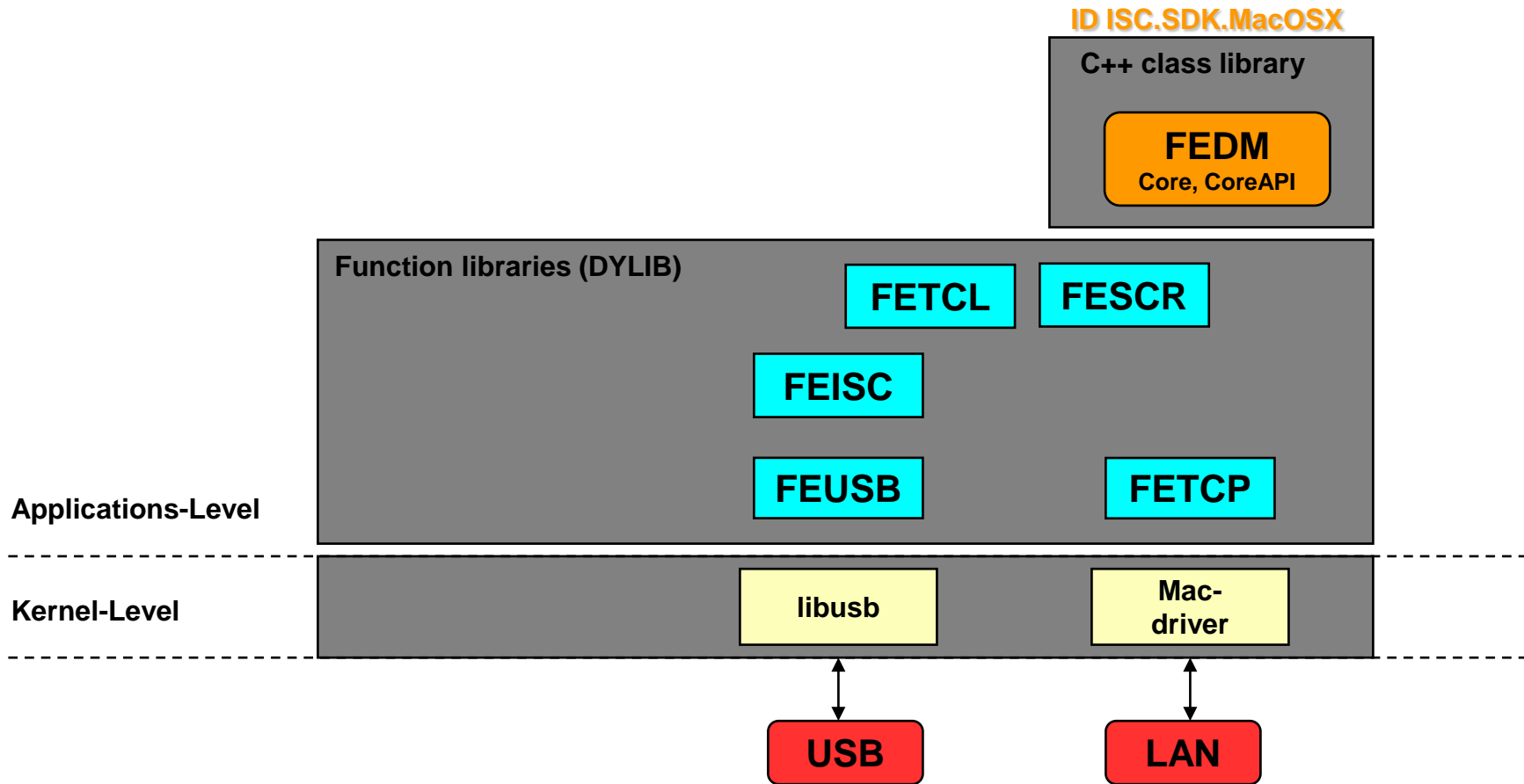
Software Support for Android 6 or higher

(ARM and Intel, each 32- and 64-Bit Runtime Libs)



Software Support for Mac OS X

(x86_64 Runtime Libs)



Software Support for Java

(x86- and x64-Bit Runtime Libs)

Linux and Windows in one SDK

ID ISC.SDK.Java

Java library
JRE 8 compatible

OBIDISC4J
Core, CoreAPI

Function libraries (DLL/SO)

FEFU **FETCL** **FESCR**

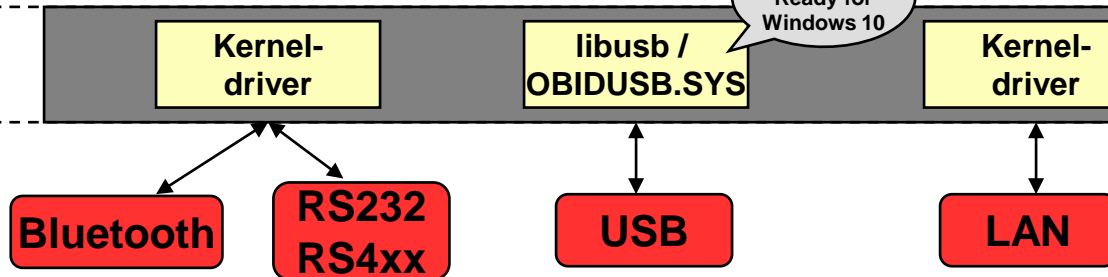
FEISC

FECOM **FEUSB** **FETCP**

V2.50
Ready for Windows 10

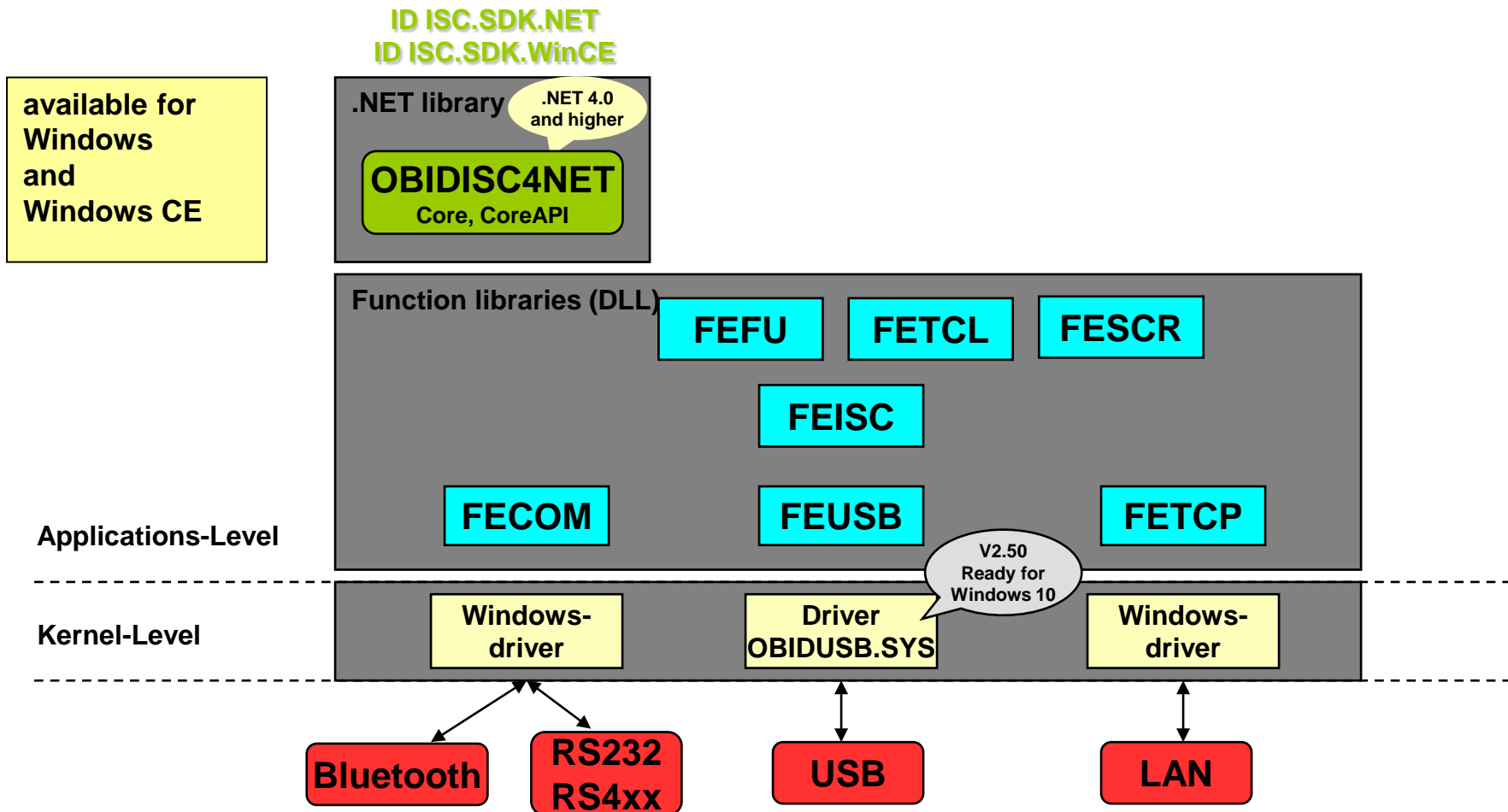
Applications-Level

Kernel-Level



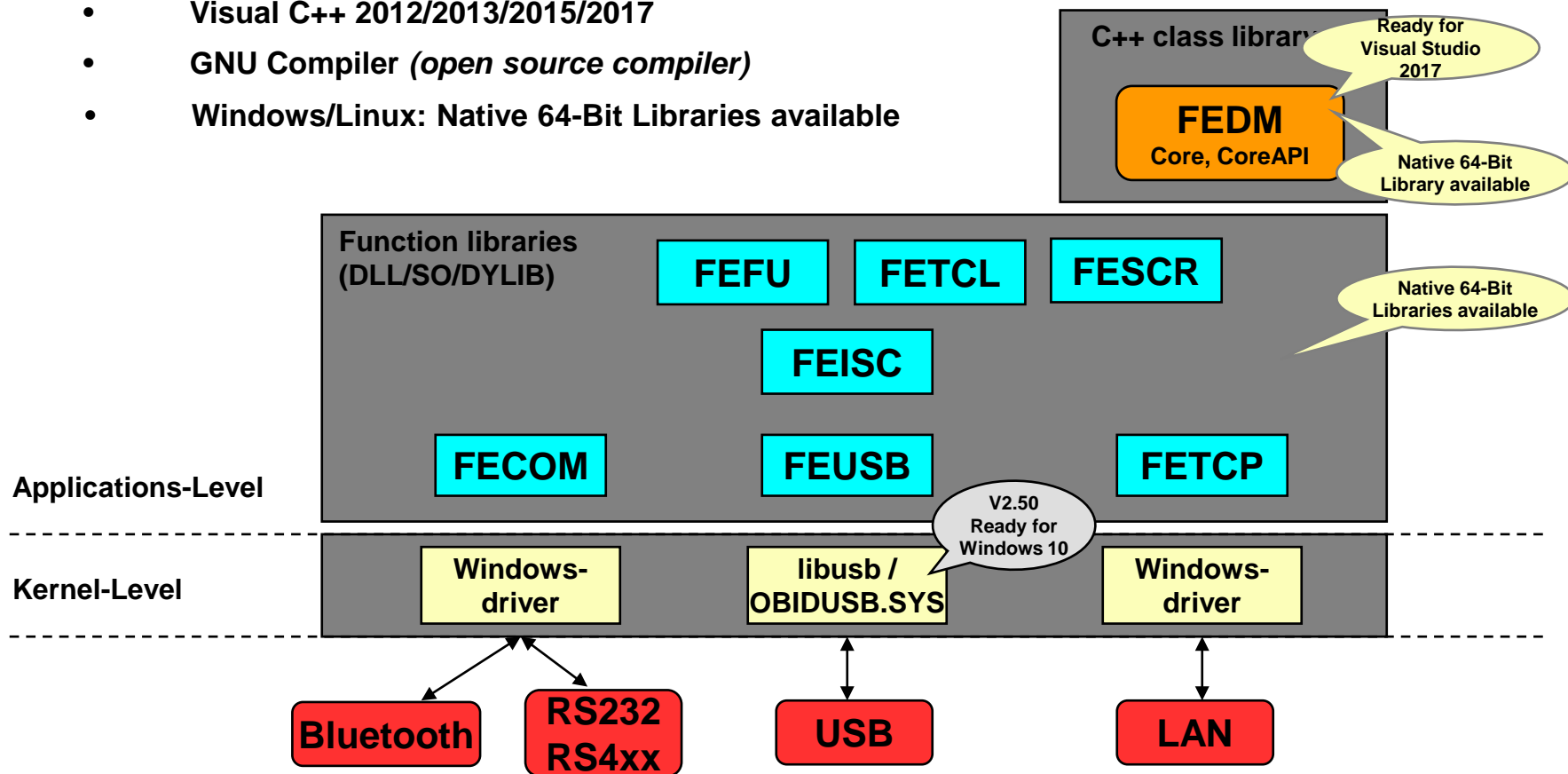
Software Support for .NET

(32- and 64-Bit Framework)



Software Support for C/C++

- Visual C++ 2012/2013/2015/2017
- GNU Compiler (*open source compiler*)
- Windows/Linux: Native 64-Bit Libraries available



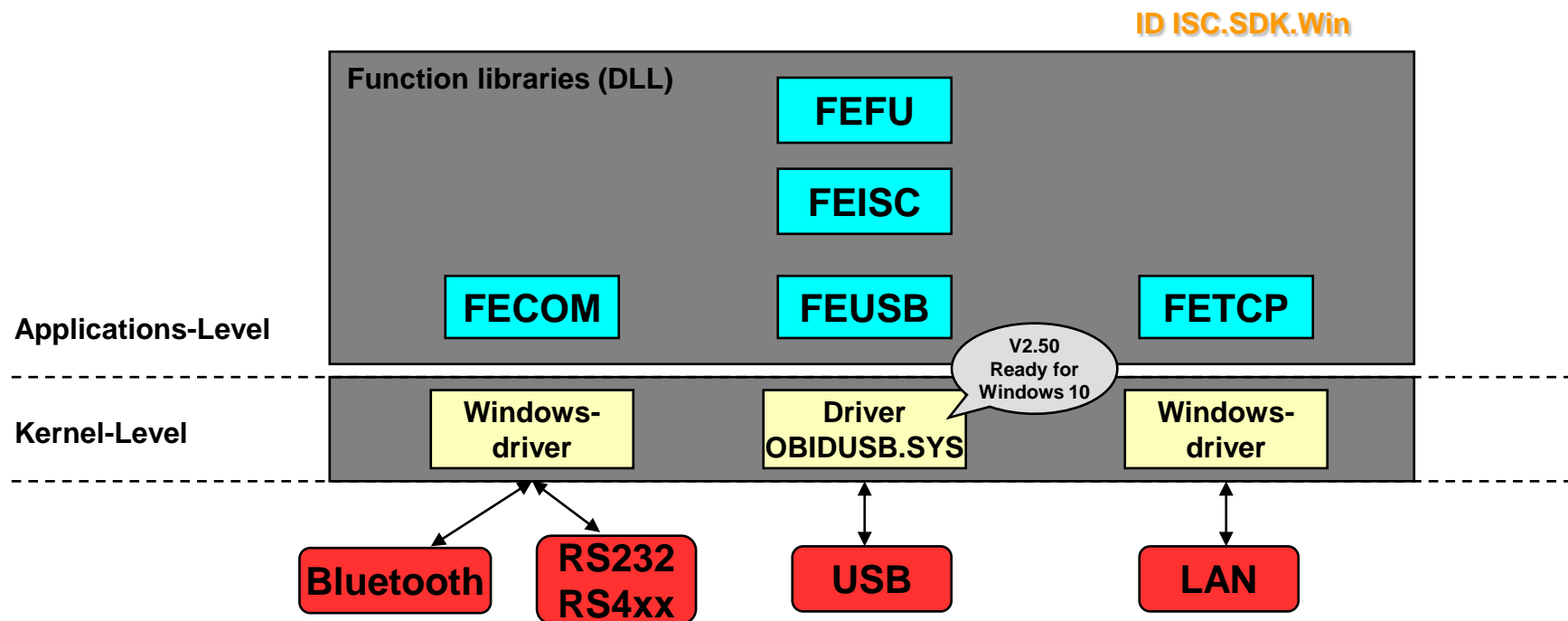
Software Support for LabView and LabWindows CVI

National Instruments

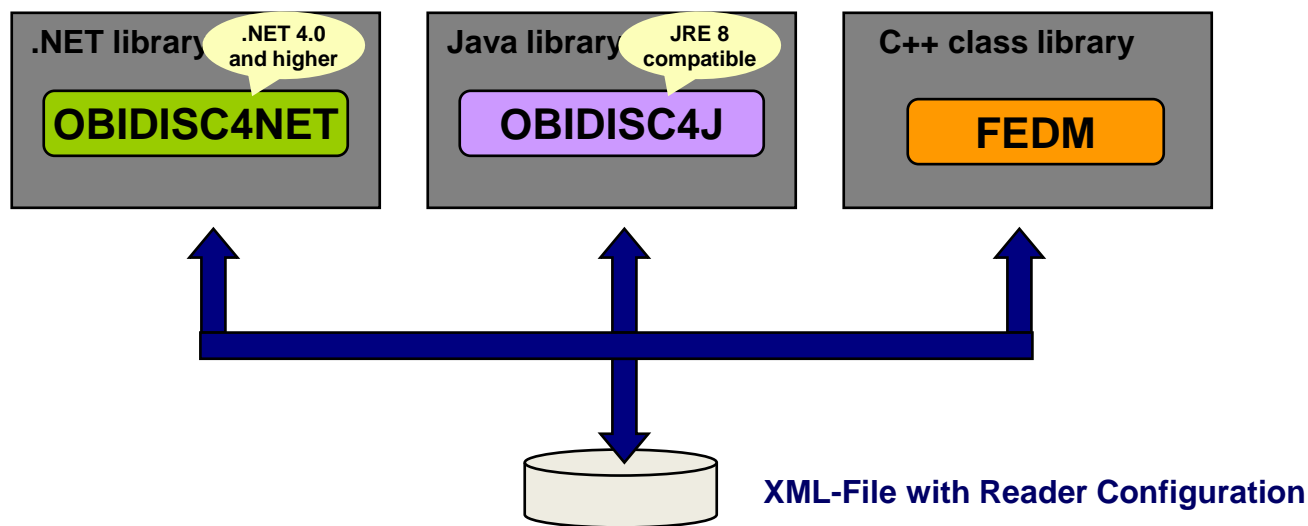
How to add a shared library:

<http://digital.ni.com/public.nsf/allkb/DCB90714981A1F148625731E00797C33>

<http://www.youtube.com/watch?v=CdG--UMpNhg>



Integration of XML Technology



XML is independent of:

- Operating System
- Development Tool
- Programming Language

The Structure of the XML Reader Configuration file is public

Advantage of the XML Reader Configuration file:

- Exchange of Reader Configuration between Reader and Application (e.g. ISOStart)
- Display of Reader Configuration with Browser

Source Code Samples of the SDKs

Standard Samples demonstrate Reader's Operating Modes:

- **ISOHostSample** (SDK.Win, SDK.Linux, SDK.NET, SDK.Java)
- **BRMSample** (SDK.Win, SDK.Linux, SDK.NET, SDK.Java)
- **ScanSample** (SDK.Win, SDK.NET, SDK.Java)
- **NotificationSample** (SDK.Win, SDK.Linux, SDK.NET, SDK.Java)
- **myAXCESS_Sample** (SDK.Win, SDK.Linux)

Special Samples:

- **FUSample demonstrates HF/UHF Function Units** (SDK.NET, SDK.Java)
- **USBSample demonstrates use of FEUSB-DLL** (SDK.Win, SDK.Linux, SDK.NET, SDK.Java)
- **PeopleCounterSample** (SDK.Win)

Complex Applications:

- **MUXDemo for HF/UHF Multiplexer** (SDK.Win)
- **DATuningTool for HF Dynamic Antenna Tuner** (SDK.Win)
- **myAXCESS_Manager**

Training, Consulting, Support

Software training as part of standard training

Manuals for every library

Support Address: identification-support@feig.de

Training application ISOStart / CPRStart

